

CDI-1600 Digital Weight Indicator



The CDI-1600 advanced multi-function digital weight indicator was developed specifically to meet the needs of modern air cargo and express parcel operations.

The specification and enhanced function set of the CDI-1600 allows both stand-alone operation, or integration into a larger system via serial and Ethernet communication interfaces.

System designers can standardise on the CDI-1600 throughout the cargo facility, simplifying user training, parts holding, maintenance and support thereby lowering costs for the owner.

A large colour TFT high contrast graphics display makes the CDI-1600 very easy to read at a glance with big digits and clear presentation. This full graphics display simplifies set-up and maintenance menus, and sophisticated functions can be configured with ease.

ATRAX
Weighing and Dimensioning Specialists

Trusted in over 130 countries

Features

- Stainless steel enclosure
- Large colour TFT high contrast display
- Weight digits from 20 mm to 40 mm high
- Air cargo data entry/capture enabled (full alphanumeric)
- Configurable operating modes & user prompts
- Display up to TWO scales simultaneously (Scale 1, Scale 2 & Total) with dual-input version
- Power for up to 10 load cells (per scale) at 350 ohm each
- Expanded 27-Key keyboard with navigation arrows
- Internal audible piezo buzzer, key press feedback
- PS2 Qwerty keyboard interface
- Programmable printout data/ticket formats
- Time & date internal real-time clock
- 3x digital inputs plus 3 x digital outputs
- Ethernet communications port onboard (network enabled)
- USB Serial Port - connects with memory sticks for firmware upgrading and configuration cloning
- Two onboard serial ports (RS232 or RS422)
- Tilt stand or panel mounted



Dual Scale Version

With the dual scale version, this indicator can display weight data from two scales simultaneously.

Both scales are active and are independently weighing at all times. The display can be set to display both scales and the total weight at the same time or selected to display one scale weight only.

Connect up to 10 load cells per scale input (20 in total).

Capture additional data

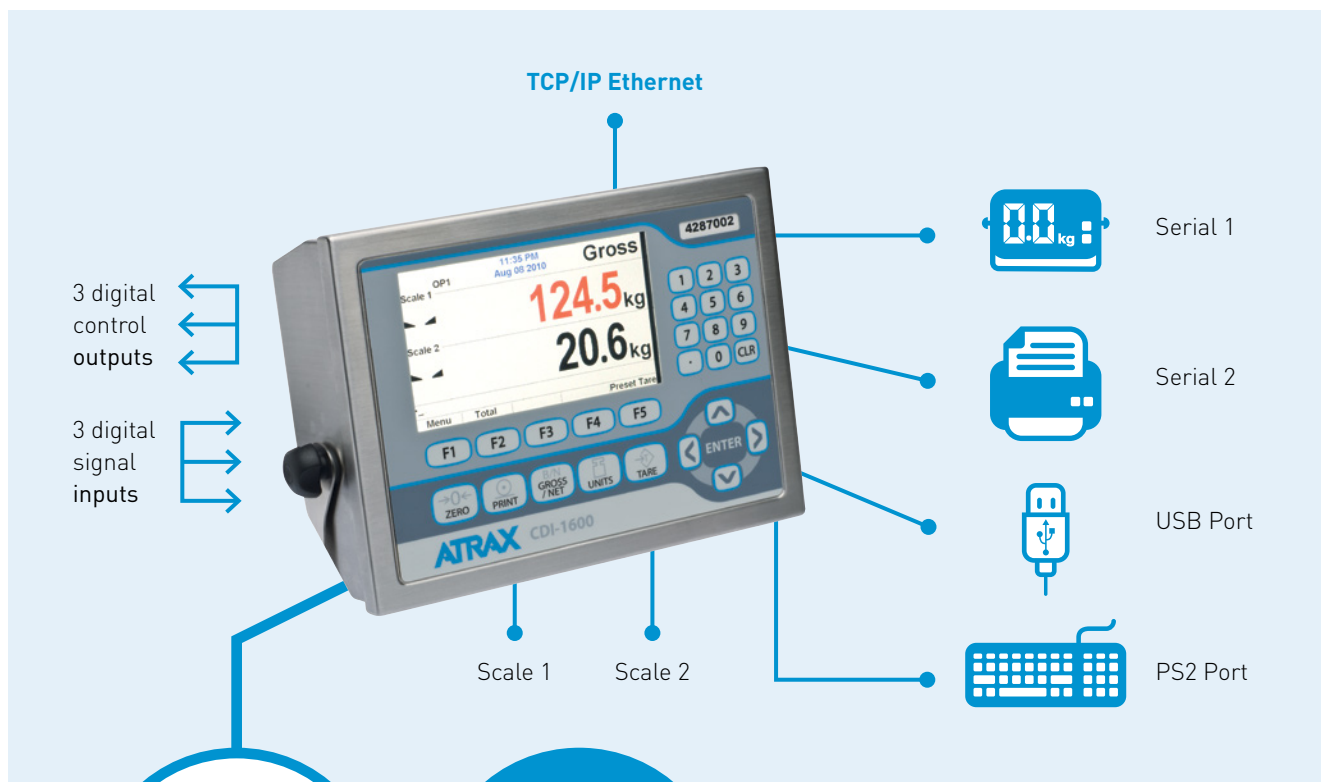
- Transaction data can be captured and added at time of weighing via the CDI-1600 front panel or Qwerty PS/2 keyboard connected to the CDI-1600
- The indicator can be configured at set-up to prompt the operator with pre-set questions for data entry. These questions can be defined during the DWI set-up and configuration
- This captured data can be output to a printer or remote host computer via a serial port or (TCP/IP) Ethernet connection



User prompts for data entry

Connect to the world

The CDI-1600 will connect with everything you might need in today's cargo facilities, including advanced technology and highly automated systems. The indicator can control its surrounding process using fully configurable I/O. Alternatively, control can be executed from a central system using a range of available interfaces.



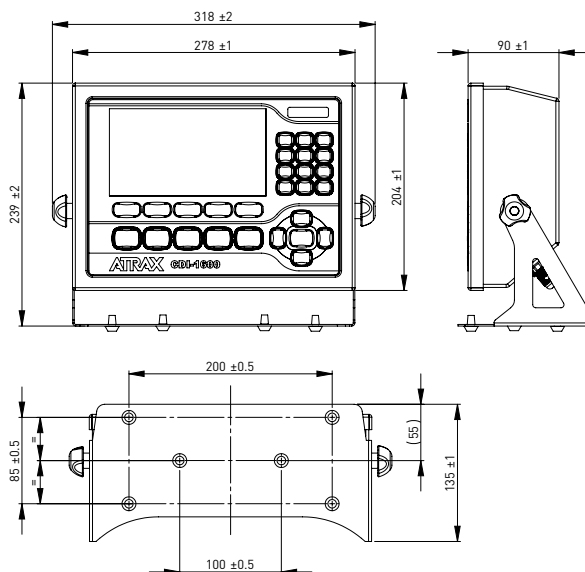
OPTION CARD

- Serial Port 3
- Analogue output
- Additional digital input/outputs

The CDI-1600 can be matched to almost any load cell system to achieve optimum accuracy stability and repeatability.

ATRAX
Weighing and Dimensioning Specialists

Trusted in over 130 countries



Specifications

Power Line Voltages	100 to 240 VAC. Power consumption 600mA max
Frequency	50 or 60 Hz (25W)
Excitation Voltage	5 Volts DC, 10 x 350 ohm load cells per scale
Analogue Channels	One or two fully independent L/C input channels
Analogue Signal Range	0.6mV/V – 4.5mV/V
Analogue Signal Sensitivity	0.3µV/graduation minimum, 1.5µV/graduation recommended
Scale Resolution	Max 100,000 displayed graduations
Digital Inputs	3 x Digital Inputs 10 – 30 VDC
Digital Outputs	3 x Digital Outputs 30 VDC 1 Amp max
Circuit Protection	ESD, EMI, RFI Protection
Serial Outputs	2 x RS232 Full Duplex ports 1 port selectable as either RS232 or RS422
Ethernet – TCP/IP	Sealed connector on base of enclosure, for external access
USB Port	For firmware upgrading and configuration cloning
Display	15 x 8 cm TFT colour, 800 x 480 pixel
Keyboard	27-Key flat membrane panel, tactile feel. PS/2 port for external keyboard connection
Operating Temperature	Legal for Trade: -10°C to + 40°C Industrial: -10°C to + 50°C

Options

- Serial Port 3
- Analogue weight output
- Extra digital I/O

ATRAX

CONTACT US

ATRAX Group Limited
Tel: +64 9 634 5337
Fax: +64 9 634 5339
info@atraxgroup.com
www.atraxgroup.com

Specifications are subject to change without notice.

